

ESBE CRx200



Series CRA200
Series CRB200
Series CRC200

Series CRD200
Series CRK200
Series CRS200

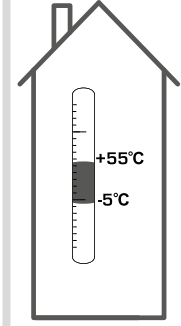
LVD 2014/35/EU
EMC 2014/30/EU
RoHS 2011/65/EU
RED 2014/53/EU
EN 300220-2

CE EAC UK CA

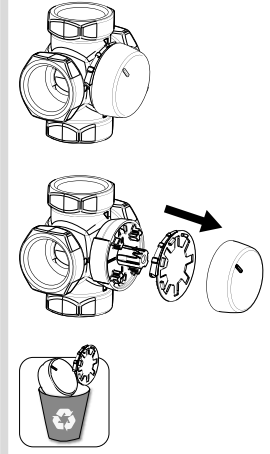


DECLARATION OF CONFORMITY
<https://www.esbe.eu/group/support> (Contorlers/Certificates)

i



1

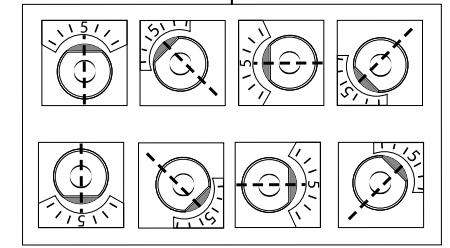
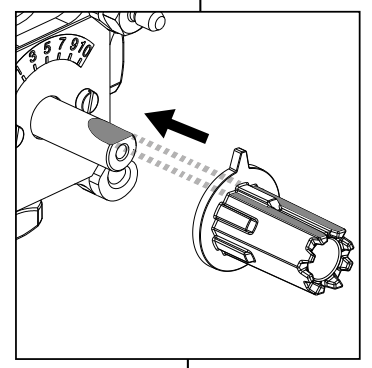
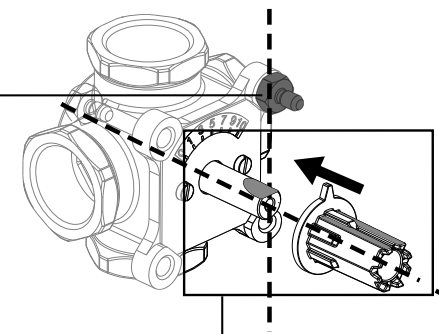


3



MG, G, F, H, HG, BIV, T, TM

	DN15-25	
	DN20-40	
	DN50	
	DN20-25	
	DN32-50	
	H: DN25	
	H: DN32-50	
	HG: DN25	
	DN20-22	
	DN25	
	T: DN20-32	
	TM: DN20	



i



Series CRA210
Series CRB210, CRB220
Series CRC210
Series CRD220,
Series CRK210
Series CRS210



VRG, VRB, VRH

3MG, 4MG



3G, 4G

3F, 4F ≤ DN50

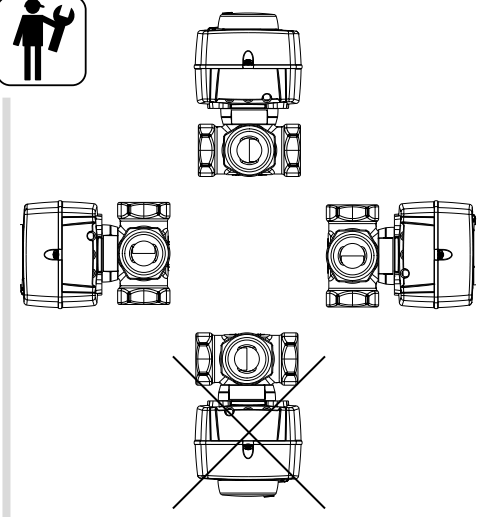
3HG, 4HG, 3H, 4H



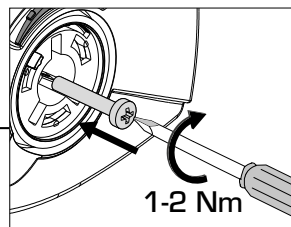
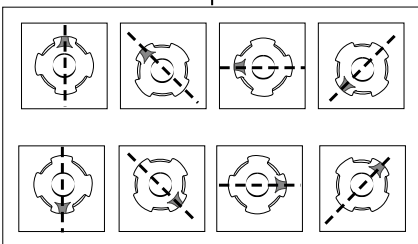
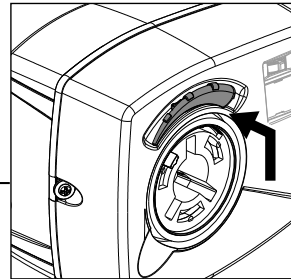
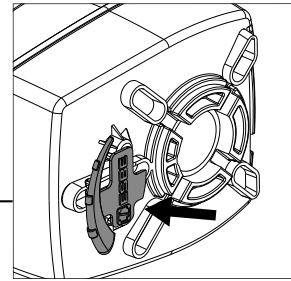
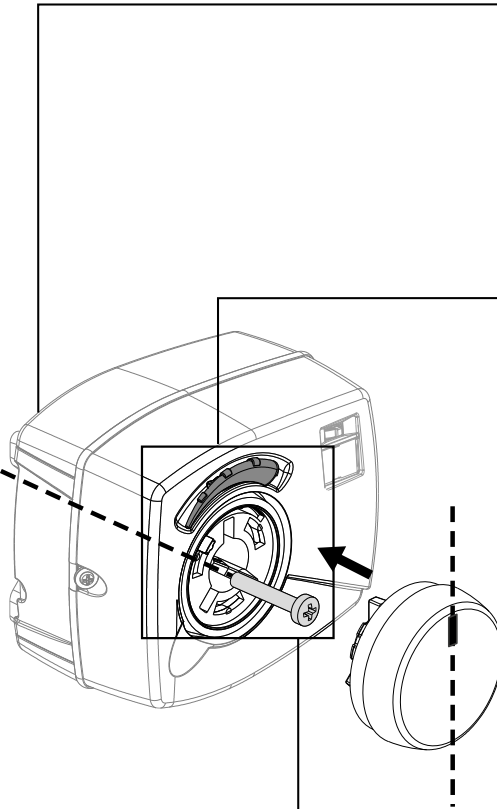
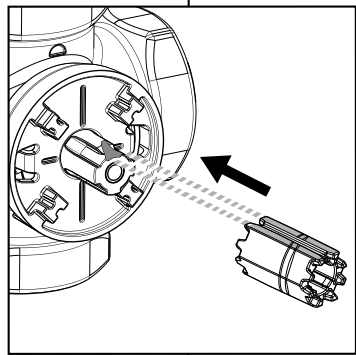
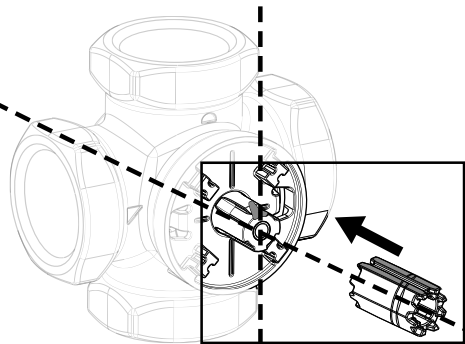
BIV

T, TM

2

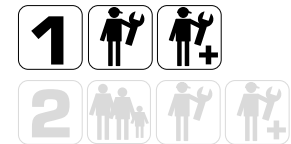


**VRG130, VRG140,
VRG230, VRG330
VRB140, VRH130**



ESBE®
www.esbe.eu

Mtrl.n: 98141094 Rltn.n: 9326 vers. A • Rev. 2021-06-08

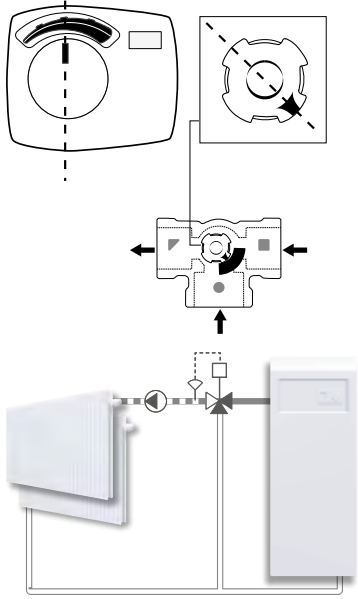


**SERIES
CRx200**

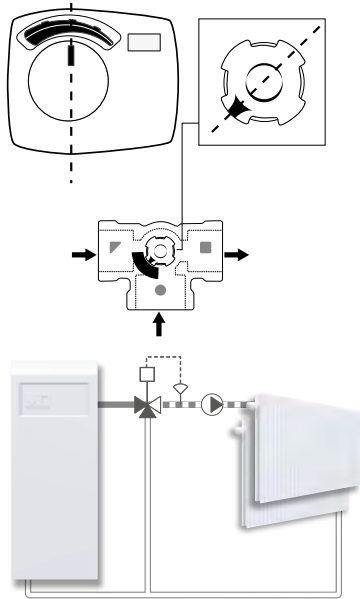
ESBE®

SERIES VRG130

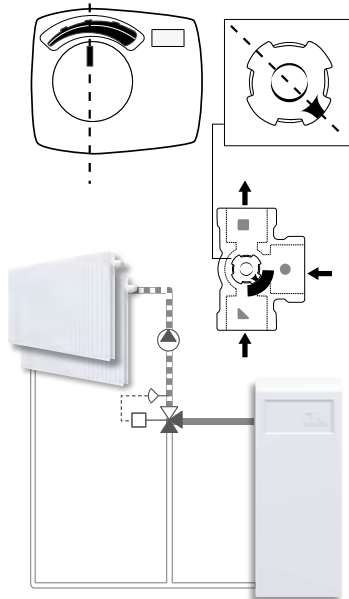
a



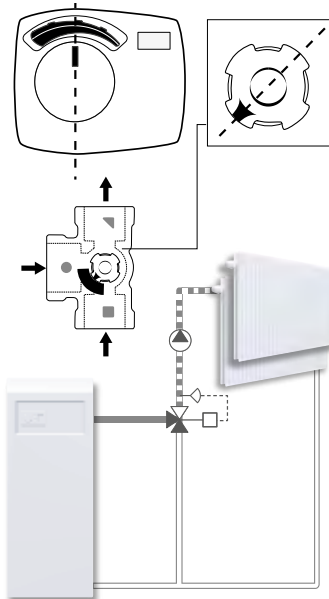
b



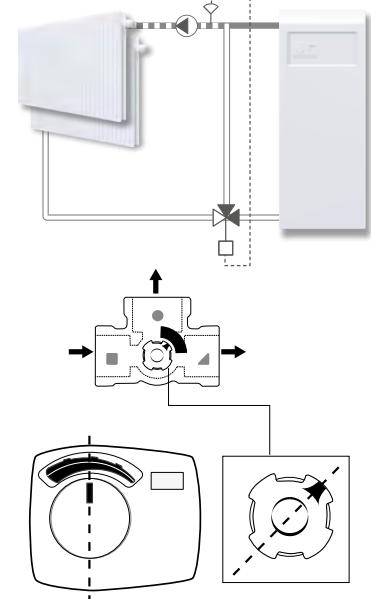
c



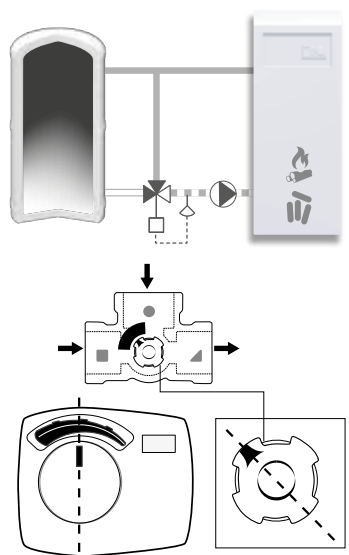
d



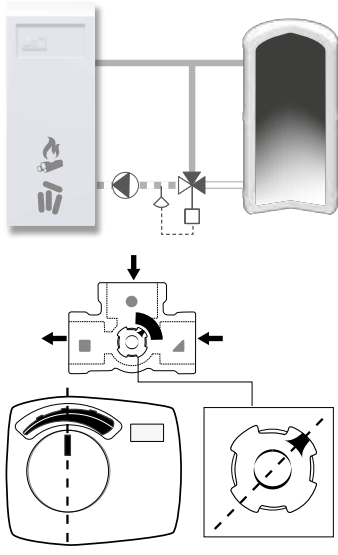
e



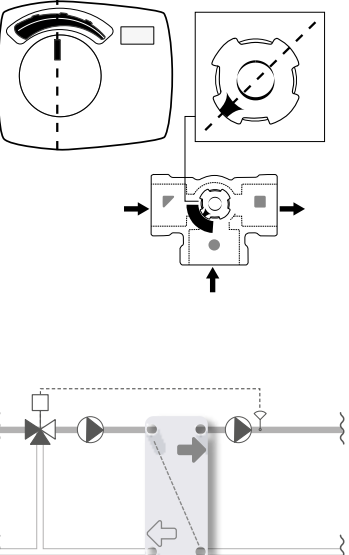
k



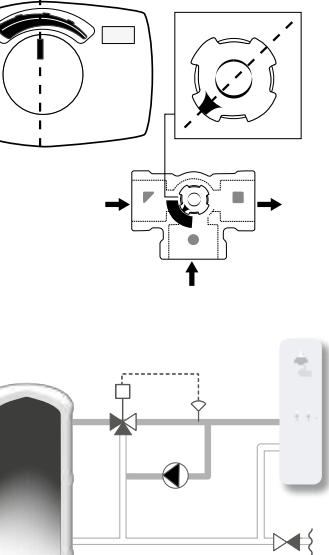
l

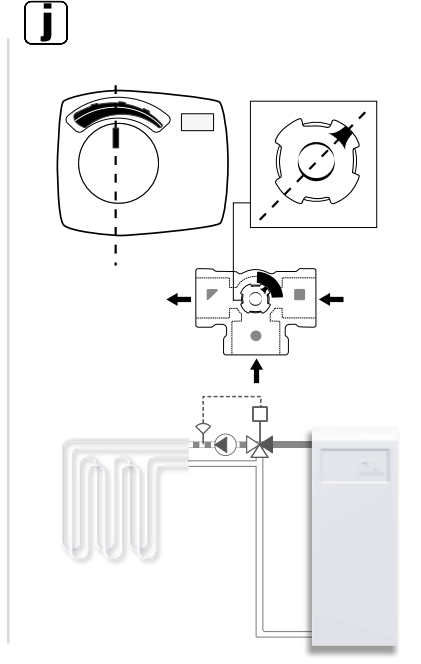
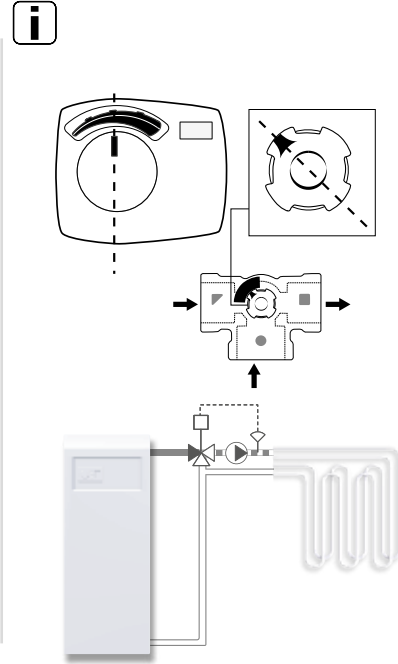
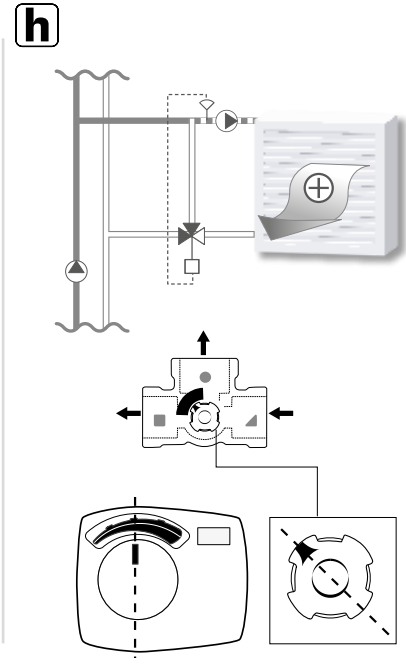
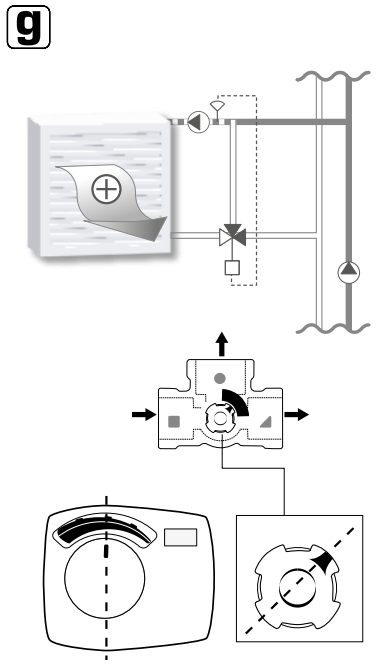
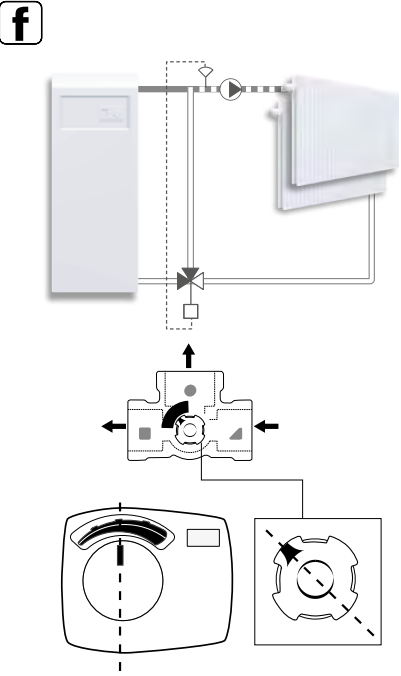


m

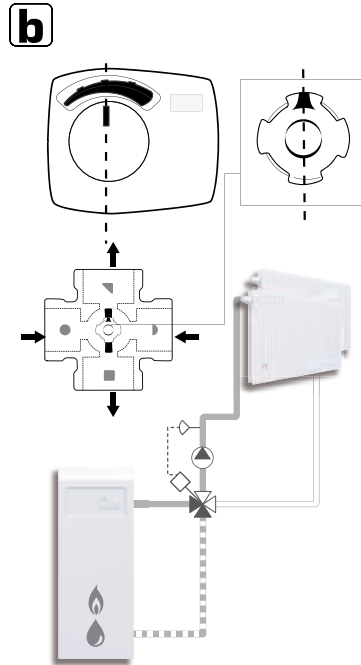
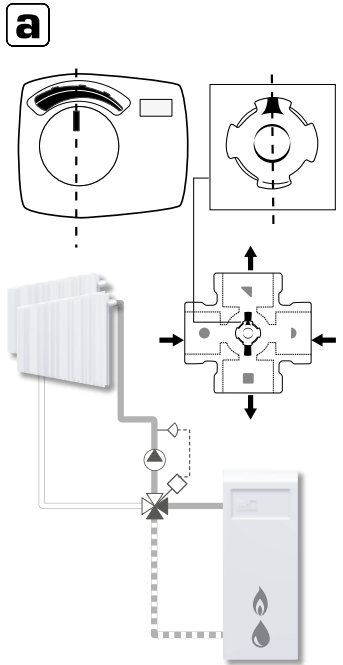


n



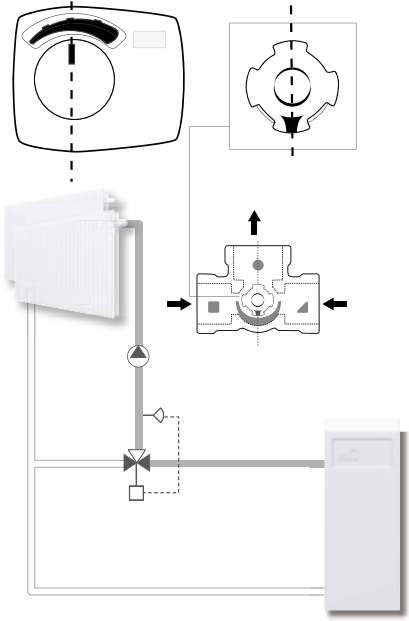


SERIES VRG140

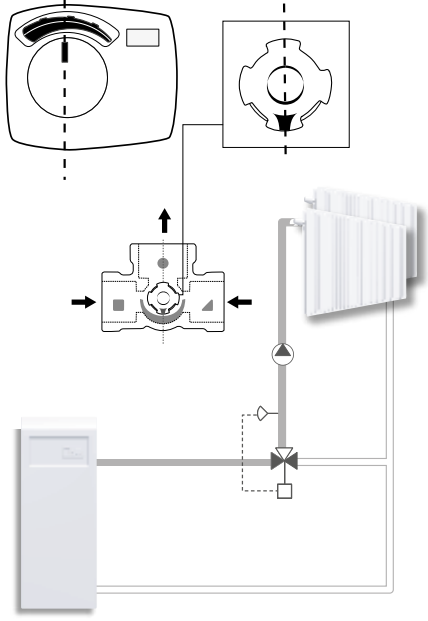


SERIES VRG230

a

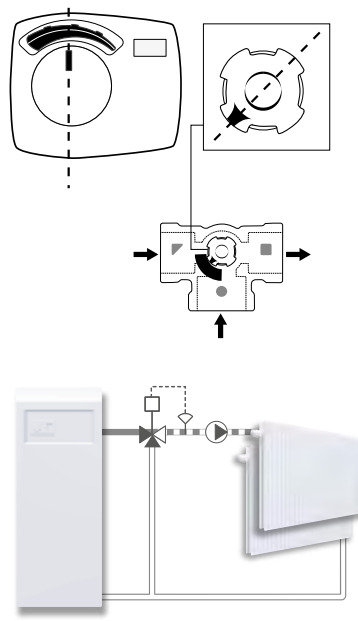


b

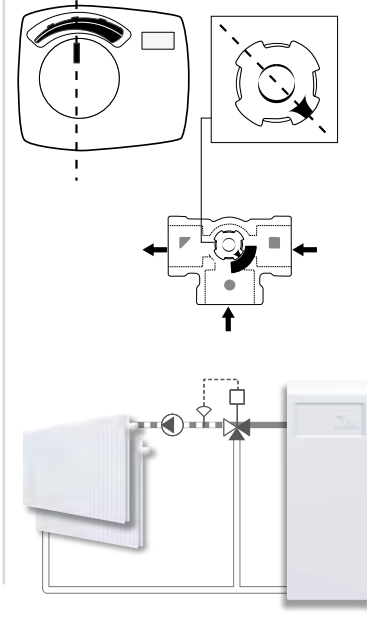


SERIES VRG330

a

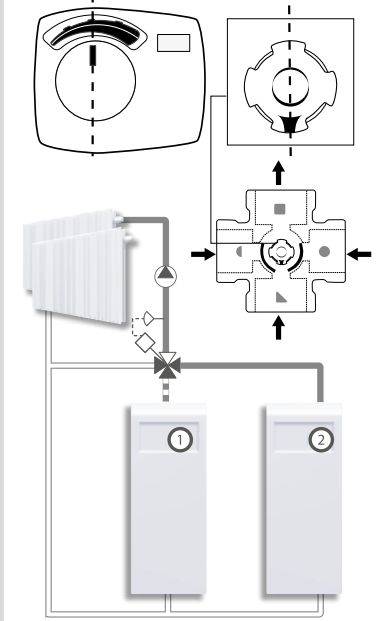


b



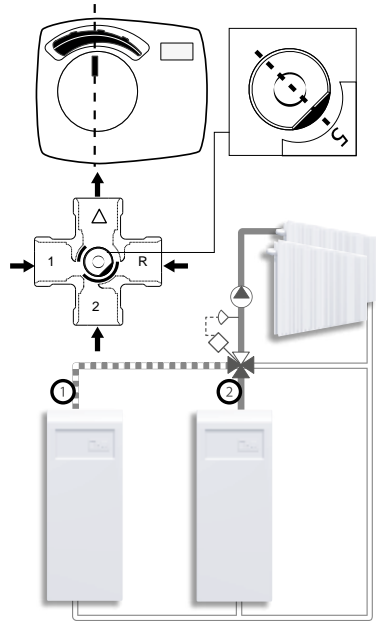
SERIES VRB140

a

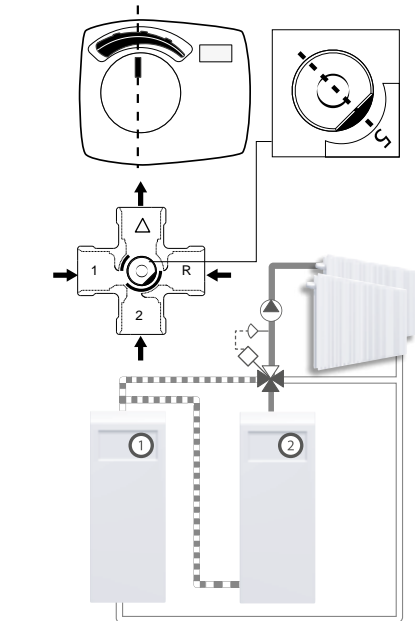


SERIES BIV

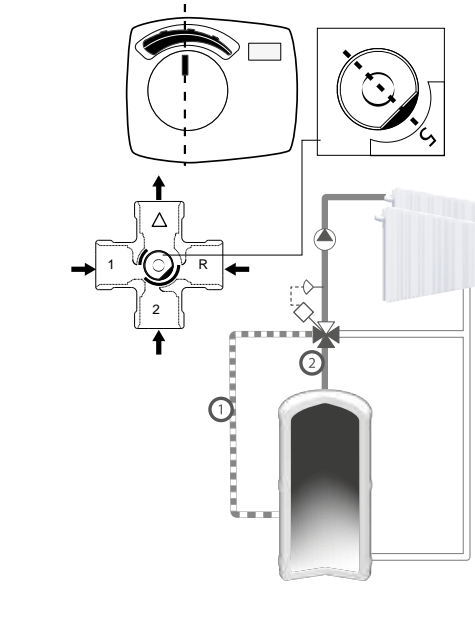
a

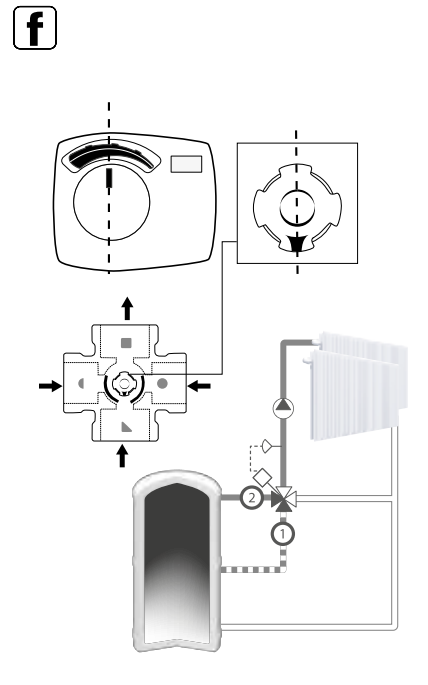
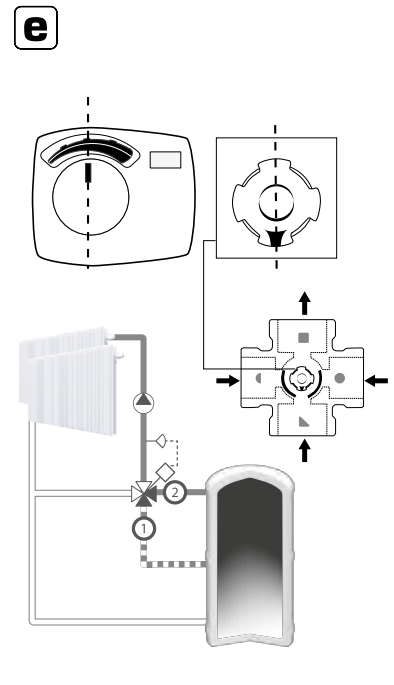
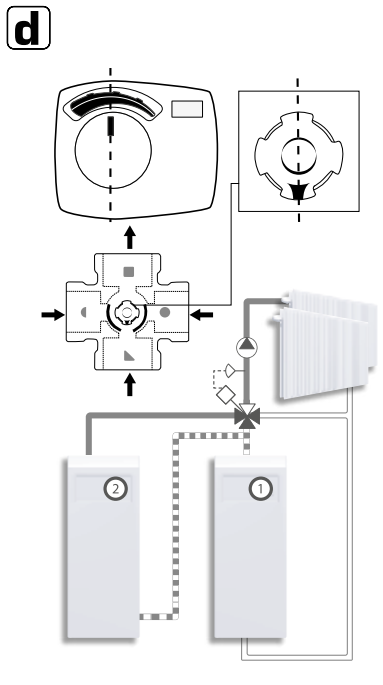
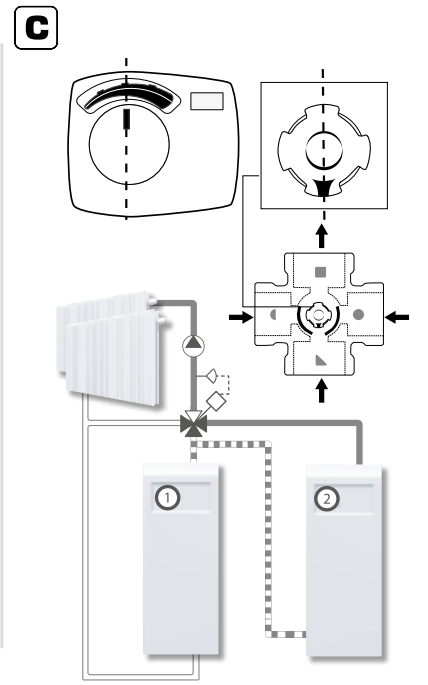
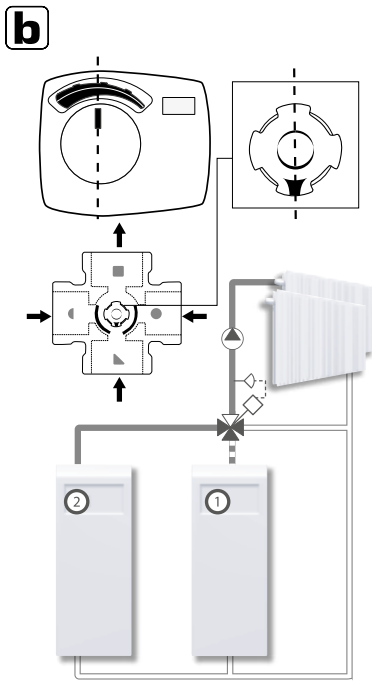


b



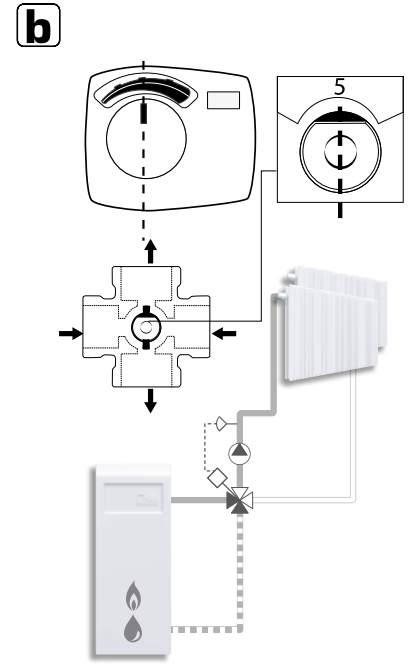
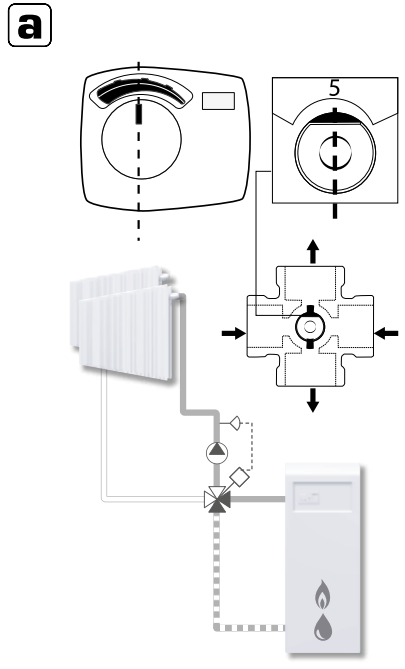
c





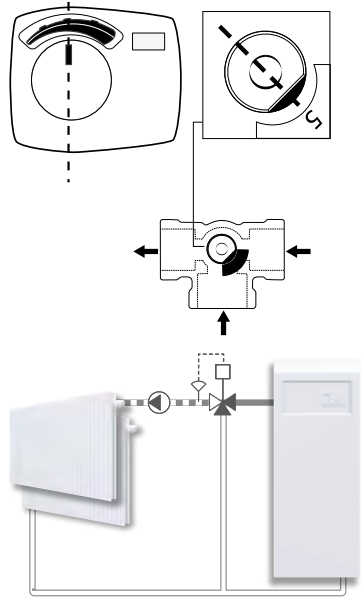
SERIES VRB140

SERIES 4F, 4MG, 4G

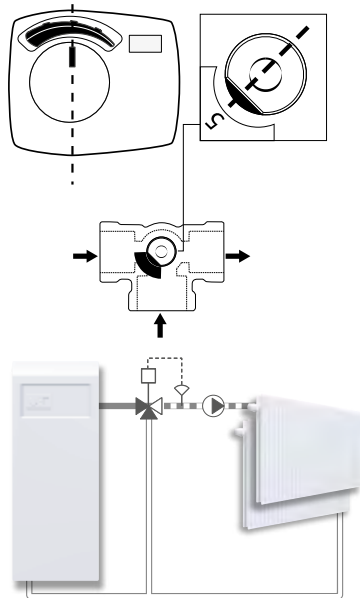


SERIES 3F, 3MG, 3G

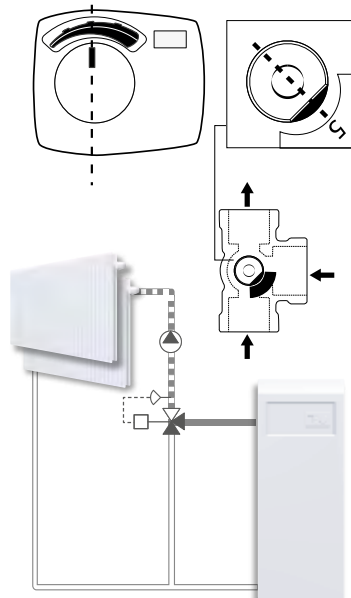
a



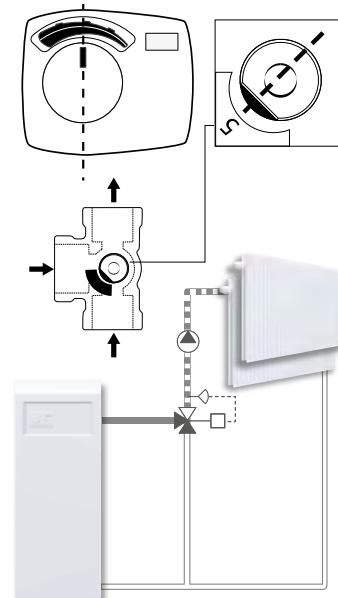
b



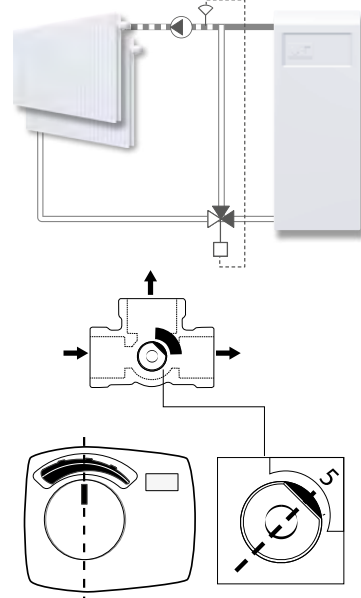
c



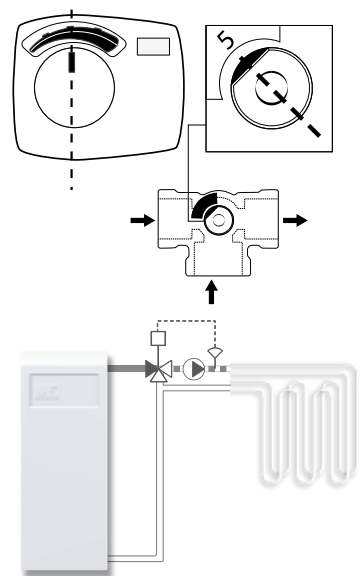
d



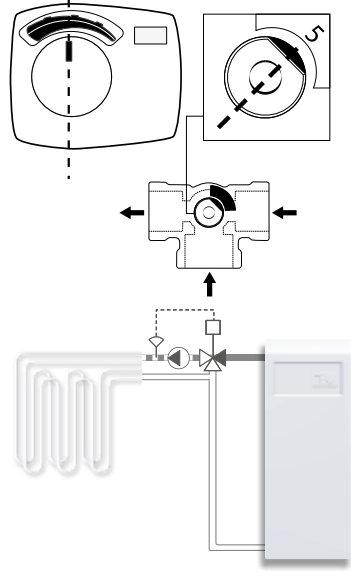
e



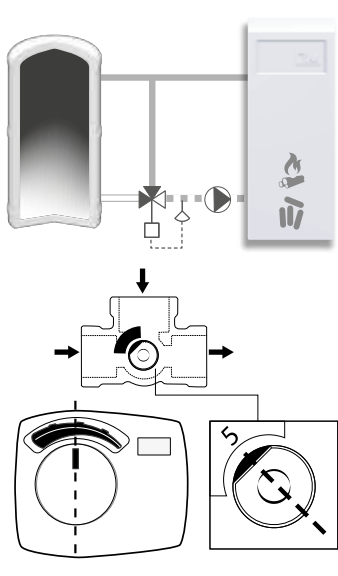
k



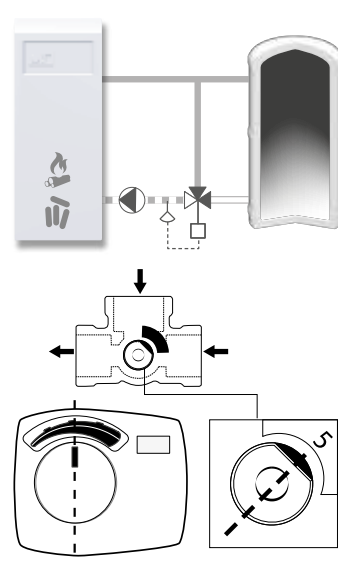
l



m



n



o

