

# Panarea COMPACT

*Instantaneous wall-hung combination gas boiler*



↔ 400  
↕ 700  
↙ 250



*Life-enhancing heat*



Instantaneous wall-hung combination gas boiler

# Panarea COMPACT



**SMALL** in its exceptionally space-efficient dimensions

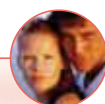
**PRACTICAL** for simple and convenient installation

**EASY** for uncomplicated, intuitive operation

**COMPLETE** with comprehensive functionality

**HIGH EFFICIENCY**  
★★★ efficiency rating for CTFS model  
(according to dir. 92/42/CEE)

CE



# Life enhancing heat

## THE NEW DIMENSION OF COMPACTNESS

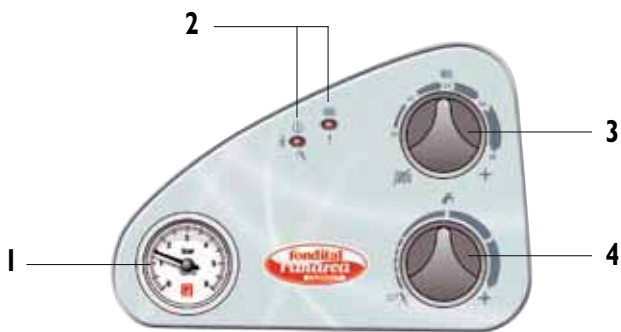
Panarea Compact is the newest instantaneous wall-hung combination boiler by Fondital, designed to condense dimensions to a minimum without giving up technological and quality contents; it is conceived for intuitive user operation.

Thanks to its dimensions, it can be installed inside kitchen wall cupboards and wherever space efficiency is a must.

Panarea Compact is available in two versions, open chamber and natural draught (CTN) or sealed chamber and forced draught (CTFS), providing heat outputs respectively of 22.2 kW and 23.7 kW.

The tasteful design of its control panel goes well along with its intuitive operation, allowing the user to instantly set boiler parameters.

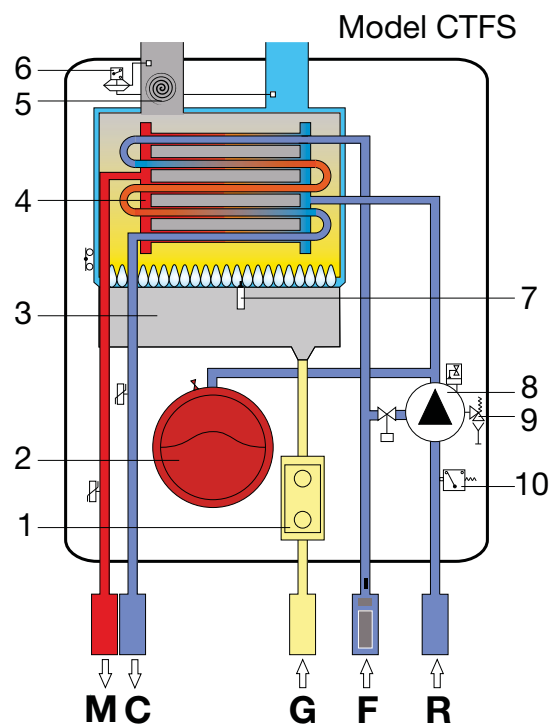
Multi-color LED technology provides complete and effective operation diagnostic; the manometer, conveniently located and easy to read, displays central heating system pressure.



- 1 Manometer
- 2 Multicolor LED diagnostic, operating mode indicators
- 3 Summer/winter / central heating water temperature adjuster
- 4 Domestic hot water temperature adjuster / boiler reset



## HYDRAULIC LAYOUT

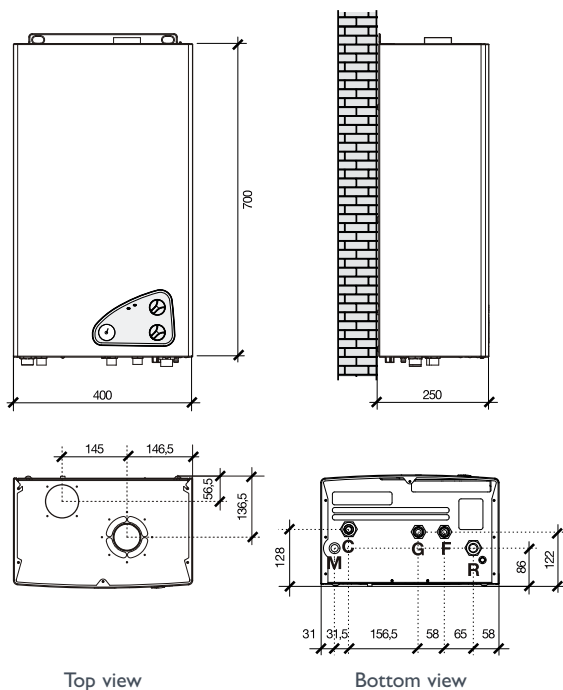


- 1 Gas valve
- 2 Expansion vessel
- 3 Burner
- 4 Bi-thermal exchanger
- 5 Flue gas discharge fan
- 6 Flue gas safety pressure switch
- 7 Ignition/flame detection electrode
- 8 Pump
- 9 3 bar safety valve
- 10 Water pressure switch

# Panarea COMPACT

## DIMENSIONS

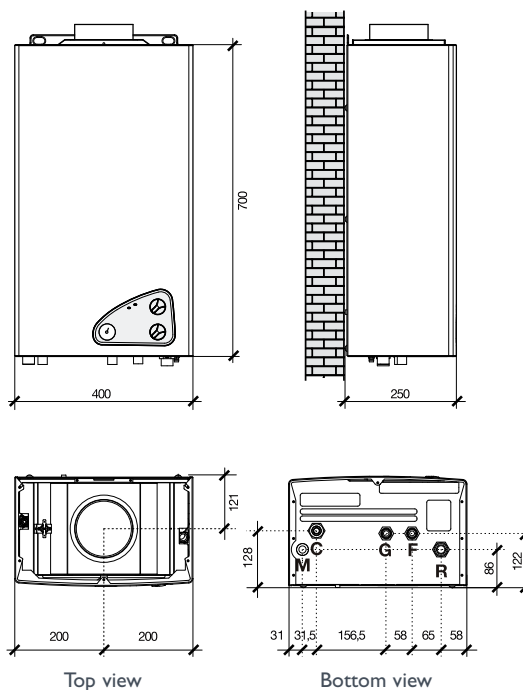
CTFS 24 AF



Top view

Bottom view

CTN 24 AF





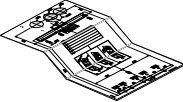

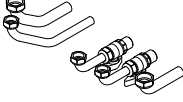
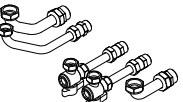
Top view

Bottom view

**G** Gas inlet (1/2")  
**M** Central heating flow (3/4")  
**C** Domestic hot water outlet (1/2")

**F** Domestic cold water inlet (1/2")  
**R** Central heating return (3/4")

## ACCESSORIES

Item	Description	Code
	Standard split pipe kit for "COMPACT" boilers	<b>OSDOPPIA07</b>
	Plus split pipe kit for "COMPACT" boilers (pipes 0.5 meter long duct)	<b>OSDOPPIA08</b>
	Paper template (delivered as standard with boiler)	<b>ODIMACAR05</b>
	Metal template for "COMPACT" boilers	<b>ODIMMEC004</b>
	Standard hydraulic kit "COMPACT" (copper pipes and straight taps)	<b>OKITIDBA09</b>
	Plus hydraulic kit for "COMPACT" (copper pipes, 90 degree taps and bi-cones)	<b>OKITIDBA07</b>

The boiler packaging includes: • Paper template • Fixing plugs • Air intake opening sealing cap • Technical manual



# the newest compact boiler

## **Panarea** **COMPACT**

Wall-hung combination gas boiler with instantaneous domestic hot water supply available in two versions:

- open chamber and natural draught (CTN)
- sealed chamber and forced draught (CTFS)
- Designed as standard to be fired with natural gas or LPG
- Central heating and domestic hot water supply
- Compact dimensions l x h x d: 400 x 700 x 250 mm;
- 5-pipe, copper, bi-thermal, high efficiency heat exchanger
- Integrated safety board with burner electronic ignition and flame sensing via single electrode
- Multi-color Led technology function diagnostics
- Anti-fast, anti-frost, pump anti-blocking, pump post-circulation functions
- Pump assembly includes water pressure switch, 3 bar safety valve, system loading assembly with loading and unloading taps
- 92/42/CEE efficiency rating:

**CTN 24 AF ★★**

**CTFS 24 AF ★★★**



Hydraulic assembly



Bi-thermal heat exchanger



Fondital company operates under **UNI EN ISO 9001:2000** certified quality system management.

Internal quality assessment of functionality, manufacturing processes, and final products ensure reliability and trouble-free operation.



# Panarea COMPACT

## TECHNICAL DATA

		CTFS 24 AF	CTN 24 AF	
Category		II 2H3+	II 2H3+	
Number of nozzles		11	11	
Max heat input	kW	25.5	24.5	
Reduced CH input	kW	12.5	12	
Max heat output	kW	23.7	22.2	
Reduced CH output	kW	11.2	10.8	
Efficiency at max heat output	%	93	90.6	
Efficiency at 30% heat output	%	90.2	90	
92/42/CEE efficiency rating		★★★	★★	
CO <sub>2</sub> at max heat output (natural gas)	%	6.3	5.7	
CO <sub>2</sub> at min heat output (natural gas)	%	2.7	2.7	
Chimney heat losses with burner on	%	5.8	6.1	
ΔT flue gas/air at max heat output	°C	107	85	
Casing heat losses (indoor boiler installation)	%	1.2	3.2	
Flue gas mass flow rate (natural gas G20)	g/s	16	16.7	
Consumption at max output:	Natural gas (G20)	m <sup>3</sup> /h	2.7	2.59
	Butane gas (G30)	kg/h	2.01	1.93
	Propane gas (G31)	kg/h	1.98	1.9
DHW supply ΔT 30°C	l/min	11.4	10.6	
Minimum DHW flow rate	l/min	3	3	
Min-max DHW pressure	bar	0.5 - 8	0.5 - 8	
Maximum DHW temperature	°C	58	58	
Minimum DHW temperature	°C	35	35	
Expansion vessel capacity	l	6	6	
Min-max central heating system pressure	bar	0.5 - 3	0.5 - 3	
Maximum CH water temperature	°C	83	83	
Minimum CH water temperature	°C	35	35	
Burner maximum pressure	Natural gas (G20)	mbar	12.5	12.5
Burner minimum pressure	Natural gas (G20)	mbar	3	3.2
Burner maximum pressure	Butane gas (G30)	mbar	28	27.5
Burner minimum pressure	Butane gas (G30)	mbar	7	6.6
Burner maximum pressure	Propane gas (G31)	mbar	36	35.5
Burner minimum pressure	Propane gas (G31)	mbar	9.5	8.5
CH flow/return diameter		G 3/4	G 3/4	
DHW inlet/outlet diameter		G 1/2	G 1/2	
Gas coupling diameter		G 1/2	G 1/2	
Flue gas discharge pipe diameter	mm	-	130	
Air intake/flue gas coaxial discharge pipe diameter	mm	100/60	-	
Air intake/flue gas split discharge pipe diameter	mm	80+80	-	
Tension/frequency	V/Hz	230/50	230/50	
Total electric power absorbed	W	140	80	
Fuse	A	2	2	
Control panel protection rating		IPX4D	IPX4D	
LxHxD	mm	400x700x250		
Weight	Kg	27.5	24.85	

The manufacturer reserves the right to implement modifications without notice.

FONDITAL S.p.A.

25078 VESTONE (Brescia) Italy - Via Mocenigo, 123

Tel. +39 0365 878.31 - Fax +39 0365 820.200

e mail: info@fondital.it - www.fondital.it

COMPANY  
WITH QUALITY SYSTEM  
CERTIFIED BY DNV  
=ISO 9001/2000=

