

# BALL VALVE / 1220

## PN16 - FLANGED



PN 16  
DN15 → DN250

### PRODUCTION STANDARDS

DESIGN	TS 3148 / DIN3357
END CONNECTION	FLANGED TS EN 1092-2 / ISO 7005-2
FACE TO FACE	TS3148 Sheet2
	DN15..DN150 TS EN 558 Seri 14 / DIN3202 F4
	DN200..DN250 TS EN 558 Seri 27 / DIN3202 F5
TEST	TS EN 12266-1
MARKING	TS EN 19 / TS 3148

## FEATURES

- FAF 1220, PN 16 flanged ball valve is operating by a ball having a hole with the same size as the flow section, through the help of the stem, rotating quarter turn(90 degree) between teflon seats where the ball to be parallel or perpendicular to the flow axis
- Can be installed bidirectional
- Through the stainless steel belleville spring reinforced teflon (PTFE) seats, %100 tight sealing is achieved in lowest and highest pressure ratings
- The well accordance of teflon material with various flow types and its resistance to higher temperatures enables it to be used in wide range of applications
- Various ball(SS304, SS304L, SS316, SS316L) and body(cast iron, ductile iron, steel) material alternatives available.
- It is appropriate to be used in fully open or fully closed position
- In fully open position, since there is no reduction in flow section, the head loss is nearly zero
- Can be operated with lower torque ratings
- Suitable to install actuator and gearbox

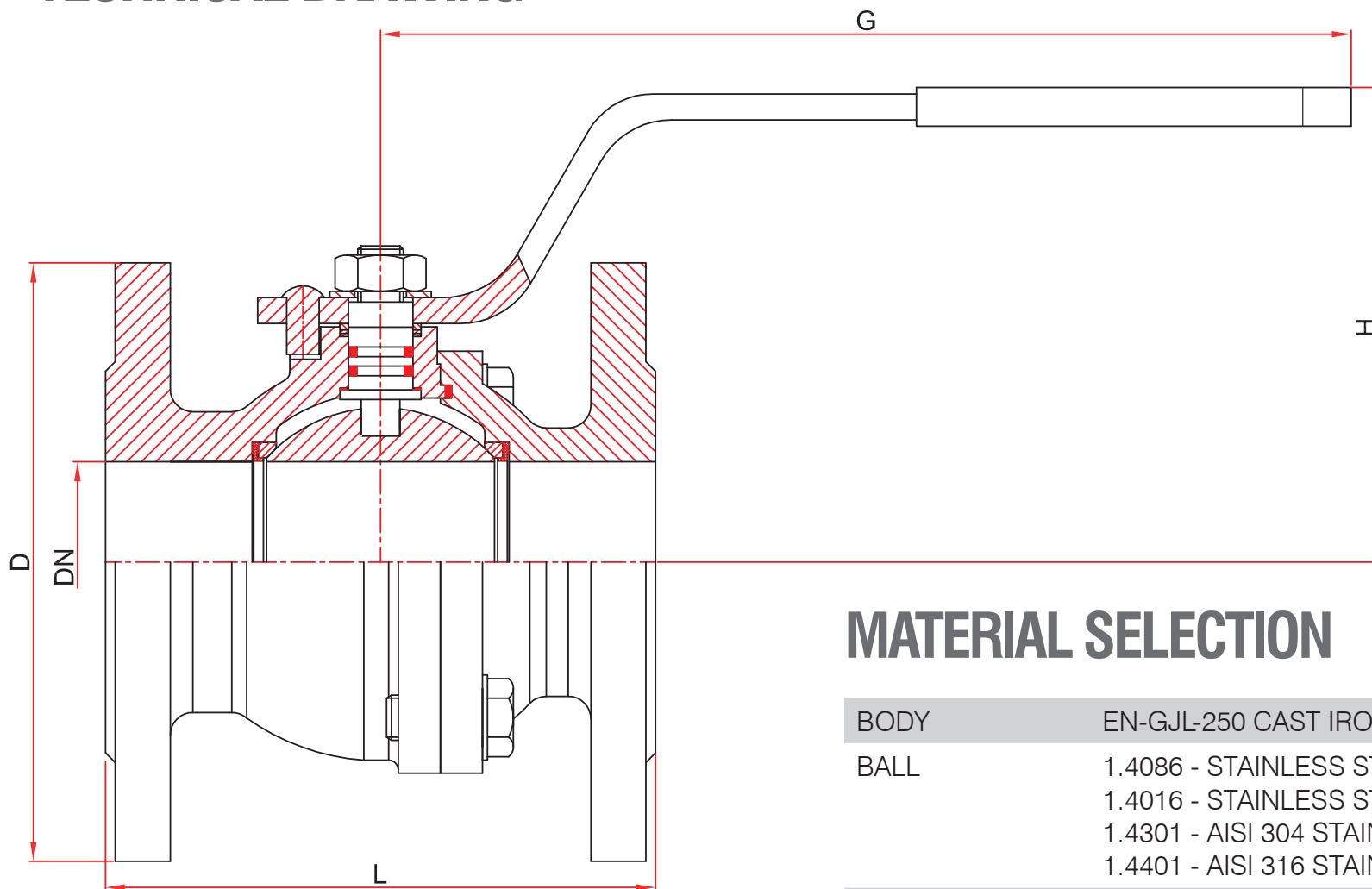
## APPLICATIONS

Hot Water, Cold Water, Superheated Water, Low Pressure Steam, Fluids without acidity or alkalinity properties,

## TEMPERATURE

+200 °C

## TECHNICAL DRAWING



## MATERIAL SELECTION

BODY	EN-GJL-250 CAST IRON (GG25)
BALL	1.4086 - STAINLESS STEEL 1.4016 - STAINLESS STEEL 1.4301 - AISI 304 STAINLESS STEEL 1.4401 - AISI 316 STAINLESS STEEL
STEM	1.4021 - AISI 420 STAINLESS STEEL 1.4301 - AISI 304 STAINLESS STEEL 1.4401 - AISI 316 STAINLESS STEEL
SEALING	TEFLON (PTFE)
COATING	INDUSTRIAL EPOXY

DN	DIMENSION				RATINGS			STUD SIZE	BOLT/ NUT QTY	FASTENING MOMENT Nm	WRENCH SIZE (mm)
	Ømm	D	L	H	G	KV m <sup>3</sup> /h	Tork Nm				
15	95	115	95	160	18	12	2,5	M12X50	4X2	85	19
20	105	120	100	180	35	12	2,8	M12X55	4X2	85	19
25	115	125	105	180	65	12	3,4	M12X55	4X2	85	19
32	140	130	110	180	115	12	4,7	M16X65	4X2	205	24
40	150	140	125	250	190	12	6,9	M16X65	4X2	205	24
50	165	150	130	300	310	12	9,2	M16X65	4X2	205	24
65	185	170	145	310	600	30	13	M16X65	4X2	205	24
80	200	180	155	310	950	35	15,9	M16X70	8X2	205	24
100	220	190	180	310	1630	45	21,7	M16X75	8X2	205	24
125	250	200	220	500	2700	60	32,6	M16X80	8X2	205	24
150	285	210	240	500	5000	115	37,7	M20X80	8X2	400	30
200	340	400	295	700	8000	175	118,4	M20X90	12X2	400	30
250	405	450	315	1000	12200	325	206,1	M24X100	12X2	691	36