

WAFER SWING CHECK VALVE / 2300



PN 16
DN25 → DN400

PRODUCTION STANDARDS

| | |
|----------------|---------------------------------------|
| DESIGN | TS EN 14341 |
| END CONNECTION | WAFFER TYPE TS EN 1092-1 / ISO 7005-1 |
| FACE TO FACE | TS EN 558 Seri 97 |
| TEST | TS EN 12266-1 |
| MARKING | TS EN 19 |

FEATURES

- FAF2300 Wafer type Check Valve, while allowing the flow moving to the desired flow direction, stops the flow when exposed to backflow
- The disc hinged on the body is placed within the flow section
- With the start of movement at defined flow direction on the system, the disc leaves the flow section by turning in its axis and allows the flow pass
- When the flow stops, the disc sits on the EPDM sealing rings placed on the body through disc spring force and maintains %100 tight sealing
- Deigned to maintain the minimum head loss on the pipeline
- Through its short installation length and eye screw (hook), easy to install between two flanges
- Body can be made of galvanized carbon steel (FAF2330) or stainless steel (FAF2300). Disc is made of 1.4301/AISI 304 stainless steel for both types
- Can be installed in horizontal or vertical position

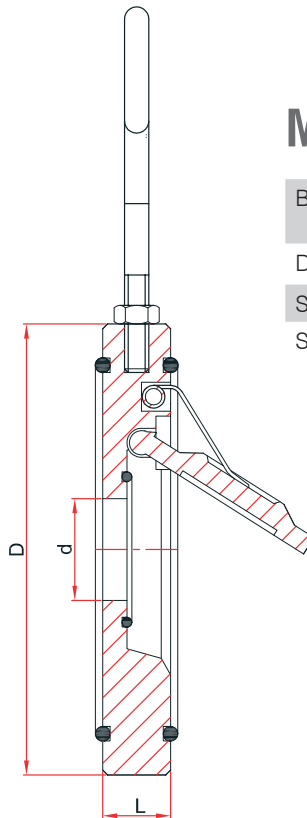
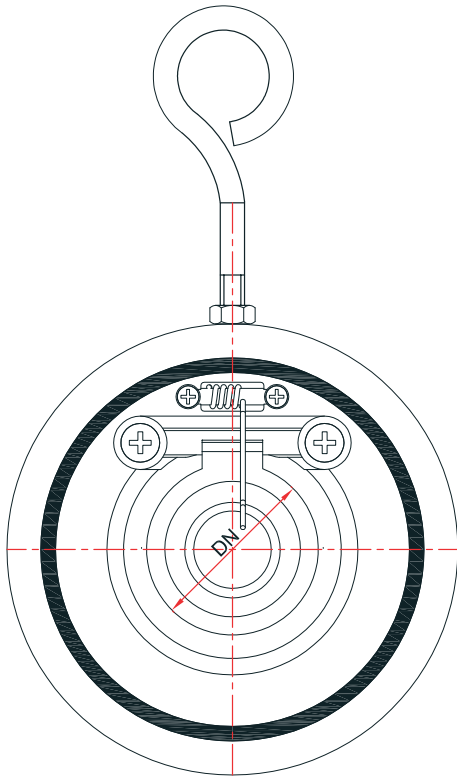
APPLICATIONS

Steam, Hot Water, Cold Water, Fluids without acidity or alkalinity properties, Pressurized Air

TEMPERATURE

+130 °C

TECHNICAL DRAWING



MATERIAL SELECTION

| | |
|---------|---|
| BODY | WCB CAST STEEL 1.4301 - AISI 304 STAINLESS STEEL |
| DISC | 1.4301 - AISI 304 STAINLESS STEEL |
| SPRING | STAINLESS STEEL |
| SEALING | EPDM NBR VITON |

| DN mm | DIMENSION | | | RATINGS | | STUD SIZE | BOLT/NUT QTY | FASTENING MOMENT Nm | WRENCH SIZE (mm) |
|----------|-----------|-----|----|-------------------------|--------------|-----------|-----------------|---------------------------|---------------------|
| | D | d | L | KV m ³ /h | Weight Kg | | | | |
| 25 | 71 | 11 | 14 | 35 | 0,4 | M12X70 | 4 | 85 | 19 |
| 32 | 81 | 20 | 14 | 55 | 0,5 | M16X75 | 4 | 205 | 24 |
| 40 | 93 | 23 | 14 | 88 | 0,7 | M16X75 | 4 | 205 | 24 |
| 50 | 109 | 32 | 14 | 160 | 0,8 | M16X80 | 4 | 205 | 24 |
| 65 | 129 | 40 | 14 | 245 | 1,2 | M16X80 | 4 | 205 | 24 |
| 80 | 144 | 54 | 14 | 400 | 1,5 | M16X90 | 8 | 205 | 24 |
| 100 | 164 | 70 | 18 | 615 | 2,3 | M16X90 | 8 | 205 | 24 |
| 125 | 195 | 92 | 18 | 1000 | 3,1 | M16X100 | 8 | 205 | 24 |
| 150 | 220 | 112 | 20 | 1500 | 4 | M20X110 | 8 | 400 | 30 |
| 200 | 275 | 154 | 22 | 2350 | 7,5 | M20X120 | 12 | 400 | 30 |
| 250 | 330 | 192 | 26 | 3100 | 13,9 | M24X140 | 12 | 691 | 36 |
| 300 | 380 | 227 | 32 | 4000 | 15,8 | M24X150 | 12 | 691 | 36 |
| 350 | 440 | 270 | 38 | 5900 | 25,8 | M24X170 | 16 | 691 | 36 |
| 400 | 490 | 315 | 44 | 7500 | 36,3 | M27X180 | 16 | 1010 | 41 |

* Valves can be produced with bigger sizes when requested.