

# BUTTERFLY VALVE / 3500 WAFER-STAINLESS DISC



PN 6-10 -16  
DN 40 → DN 600

## PRODUCTION STANDARDS

DESIGN	TS EN 593
END CONNECTION	WAFFER TYPE TS EN 1092-1 / ISO 7005-1
FACE TO FACE	TS EN 558 Seri 20 ISO 5752 Seri 20
TEST	TS EN 12266-1
MARKING	TS EN 19

## FEATURES

- FAF 3500 wafer type butterfly valve with stainless steel disc is installed in upright axis to the pipeline, quarter turn (90 degree) operating disc, maintains %100 tight sealing in either direction through the sleeve robed into inner walls of the valve body
- Installed between two flanges
- Can be used for the purpose of open/close and proportional flow control
- Equipped with stainless steel disc and can be used in various flow types and different applications with the EPDM, NBR and VITON sleeve options
- Compared to other valve types, with its small dimensions offers the advantages of lightweight, easy installation and cost effectiveness
- Head loss is at minimum level through the double shaft design of FAF Valve
- The inner and outer surfaces of valve body is coated with electrostatic fusion bonded epoxy(FBE) / oven backed powder epoxy coating. Smooth operation and longer life is maintained in very tough conditions
- DN350 and larger sizes are with gearbox.
- Electrical or Pneumatic actuators directly fit on valve top flange. No need for any additional intermediary parts.

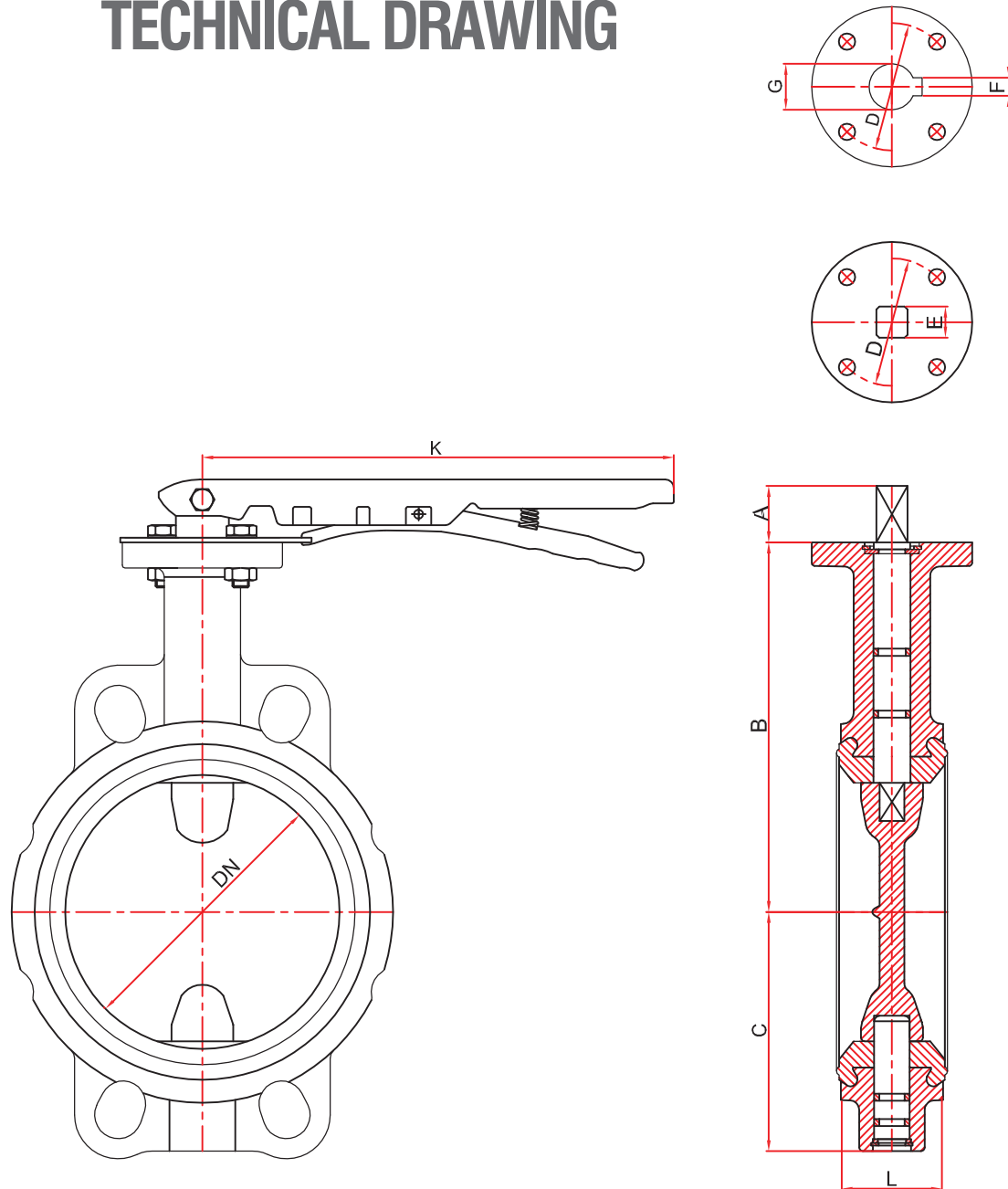
## APPLICATIONS

Hot Water, Cold Water, Steam, Waste Water, Water distribution, Water treatment, HVAC Systems, Textile, Chemical industry, Food industry, Oil&Gas industry

## TEMPERATURE

- +130 °C (EPDM)
- +100 °C (NBR)
- +220 °C (VITON)

## TECHNICAL DRAWING



## MATERIAL SELECTION

BODY	EN-GJL-250 CAST IRON (GG25) EN-GJS-400 DUCTILE IRON (GGG40)
DISC	1.4301 - AISI 304 STAINLESS STEEL 1.4401 - AISI 316 STAINLESS STEEL
STEM	1.4021 - AISI 420 STAINLESS STEEL 1.4301 - AISI 304 STAINLESS STEEL 1.4401 - AISI 316 STAINLESS STEEL
SEALING	EPDM NBR VITON
COATING	ELECTROSTATIC POWDER EPOXY

DN	DIMENSION									RATINGS			STUD SIZE	BOLT/NUT QTY	FASTENING MOMENT Nm	WRENCH SIZE (mm)
	Ømm	A	B	C	D	E	F	G	K	L	KV m <sup>3</sup> /h	Tork Nm				
40	30	122	56	50	11x11	-	-	216	33	56	12	2,3	M16X100	4	205	24
50	30	127,5	61	50	11x11	-	-	216	43	105	21	2,8	M16X110	4	205	24
65	30	134	70	50	11x11	-	-	216	46	226	32	3,5	M16X110	4	205	24
80	30	157	92	50	11x11	-	-	216	46	417	40	3,9	M16X110	8	205	24
100	30	167	101	70	14x14	-	-	259	52	617	45	6	M16X120	8	205	24
125	30	180	116	70	14x14	-	-	259	56	1424	52	7,4	M16X130	8	205	24
150	30	203	131	70	17x17	-	-	259	56	2212	70	9	M20X130	8	400	30
200	30	228	164	102	17x17	-	-	350	60	4391	105	15,1	M20X140	12	400	30
250	30	266	197	102	22x22	-	-	375	68	9001	275	21,9	M24X160	12	691	36
300	30	291	223	102	22x22	-	-	375	78	9756	370	33,3	M24X170	12	691	36
350	45	370	282	125	22x22	-	-	-	78	10421	510	59,2	M24X180	16	691	36
400	45	400	310	140	27x27	-	-	-	102	12146	630	84,9	M27X200	16	1010	41
450	50	420	329	140	27x27	-	-	-	114	16863	690	103,6	M27X220	20	1010	41
500	50	480	390	165	-	14	48	-	127	22795	860	150	M30X240	20	1370	46
600	50	565	455	165	-	14	48	-	154	27502	1035	193	M33X280	20	1900	50