

FLEXIBLE RUBBER JOINT (FAF 5000)



FEATURES:

- Galvanized Steel Flanges
- Body, EPDM with Reinforcing Steel Wire
- Easy to use and easy to assemble

APPLICATION FIELDS

EPDM material has good resistance to sunlight, weathering and ozone; it has poor resistance to petroleum oils and fuel.

EPDM is generally suitable for less than 10% acids, inorganic and organic alcohols, alkaline salts and solutions, dry bulk, hot-cold water and steam.

Absolutely not suitable for "Hydrocarbons".

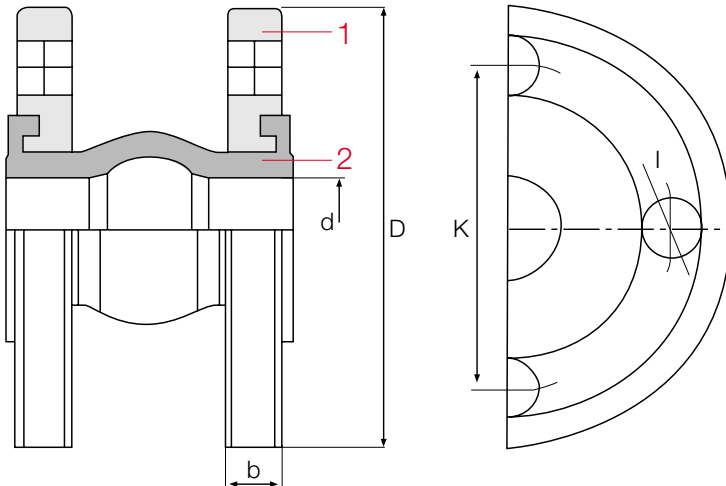
TEMPERATURE

Min -40°C Max +130°C

Document No : KA-01
Revision Date : 26/04/2005
Revision No : 00

FLEXIBLE RUBBER JOINT (FAF 5000)

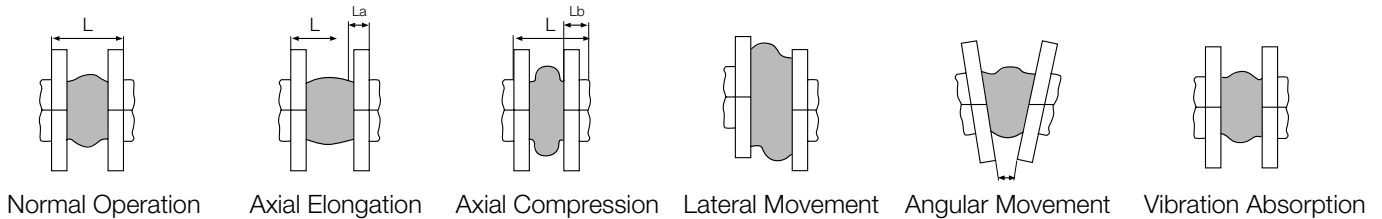
DIMENSIONS AND PRODUCT DATA



NAME OF THE PARTS

1. FLANGES (RST37-2 Carbon Steel)
2. EPDM with Reinforcing Steel Wire

OPERATION



FAF 5000

FLEXIBLE RUBBER JOINT

DN	DIMENSIONS							PRODUCT DATA
Ømm	D	d	b	L	K	T	Number of Holes	Unit Weight (kg)
40	150	40	12	95	110	19	4	3.2
50	165	51	12	95	125	19	4	4.0
65	185	70	15	105	145	19	4	5.5
80	200	77	15	115	160	19	8	6.8
100	220	100	15	130	180	19	8	7.5
125	250	133	17	135	210	19	8	9.5
150	285	150	17	165	240	23	8	12.0
200	340	200	22	180	295	23	12	17.5
250	405	250	22	240	355	28	12	23.0
300	460	300	32	260	410	28	12	28.0
350	520	350	36	265	470	28	16	37.0
400	580	400	38	265	525	31	16	48.0

ELONGATION CAPACITY

- Axial Elongation : +6%
- Axial Compression : -9.4%
- Lateral Movement : Between 8% and 9%
- Angular Movement : 15 Degrees

Pressure Bar	16	10	6
Temperature °C	70	100	110